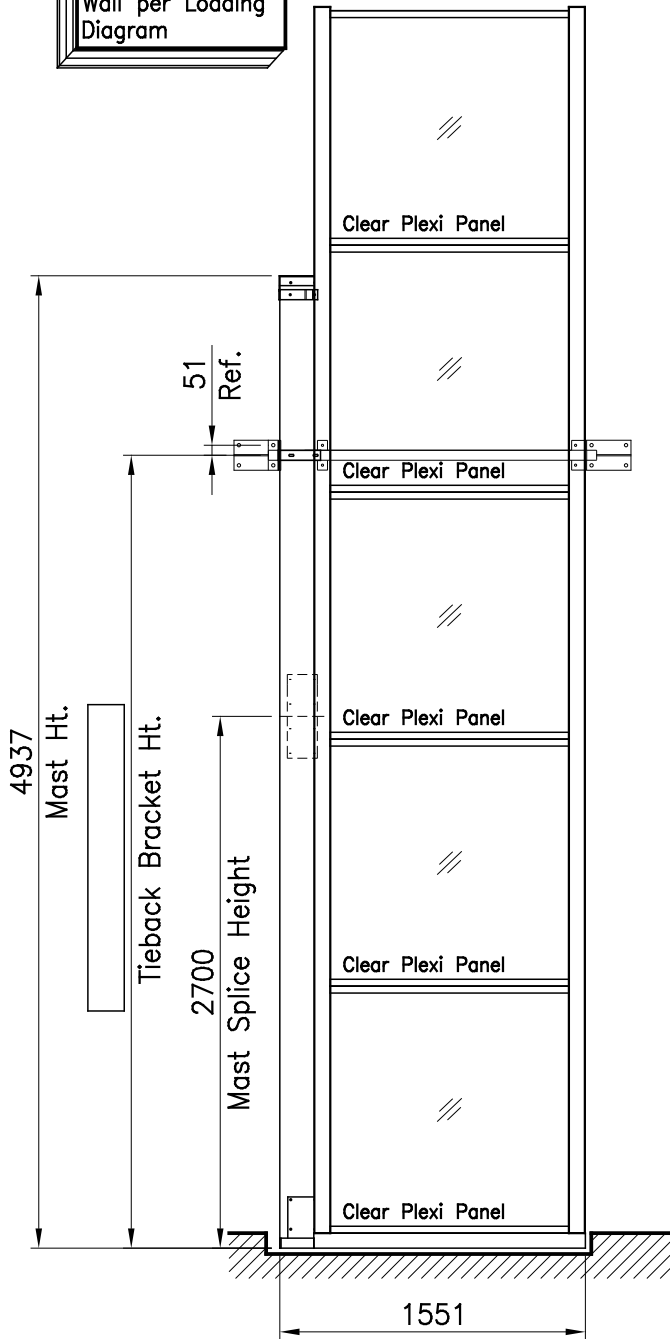


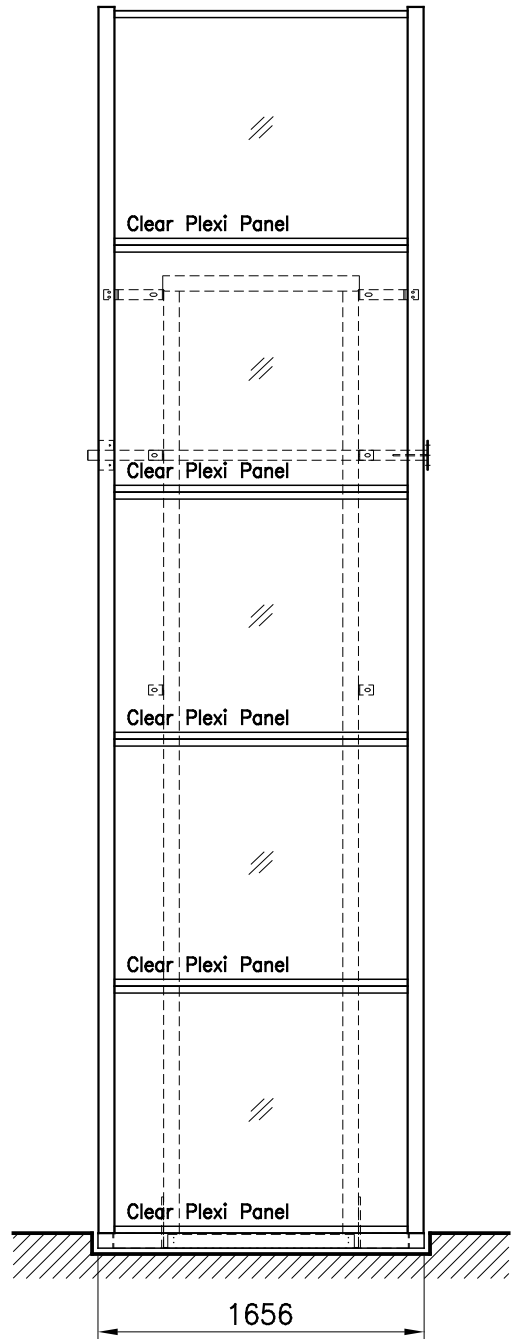


**DEDICATED CIRCUIT SUPPLIED BY OTHERS:**  
 220-240 VAC / 1 PHASE - 50 Hz.  
 Conduit and devices to suit local codes and  
 a recommended 16 amp. dedicated circuit.

Attach Mast to  
 Wall per Loading  
 Diagram



LEFT SIDE VIEW



FRONT SIDE VIEW

B	MEZZANINE BRACE WAS Y-SHAPE	12/07/06	WS	
A	INITIAL RELEASE	UNITS: MILLIMETERS	11/3/06	
REV.	SCALE: 1:40	TOLERANCES: DIMENSIONAL ±1.0	ANGULAR ±0.5°	PROJECTION:
			DATE	DRN.BY
			CHK.BY	

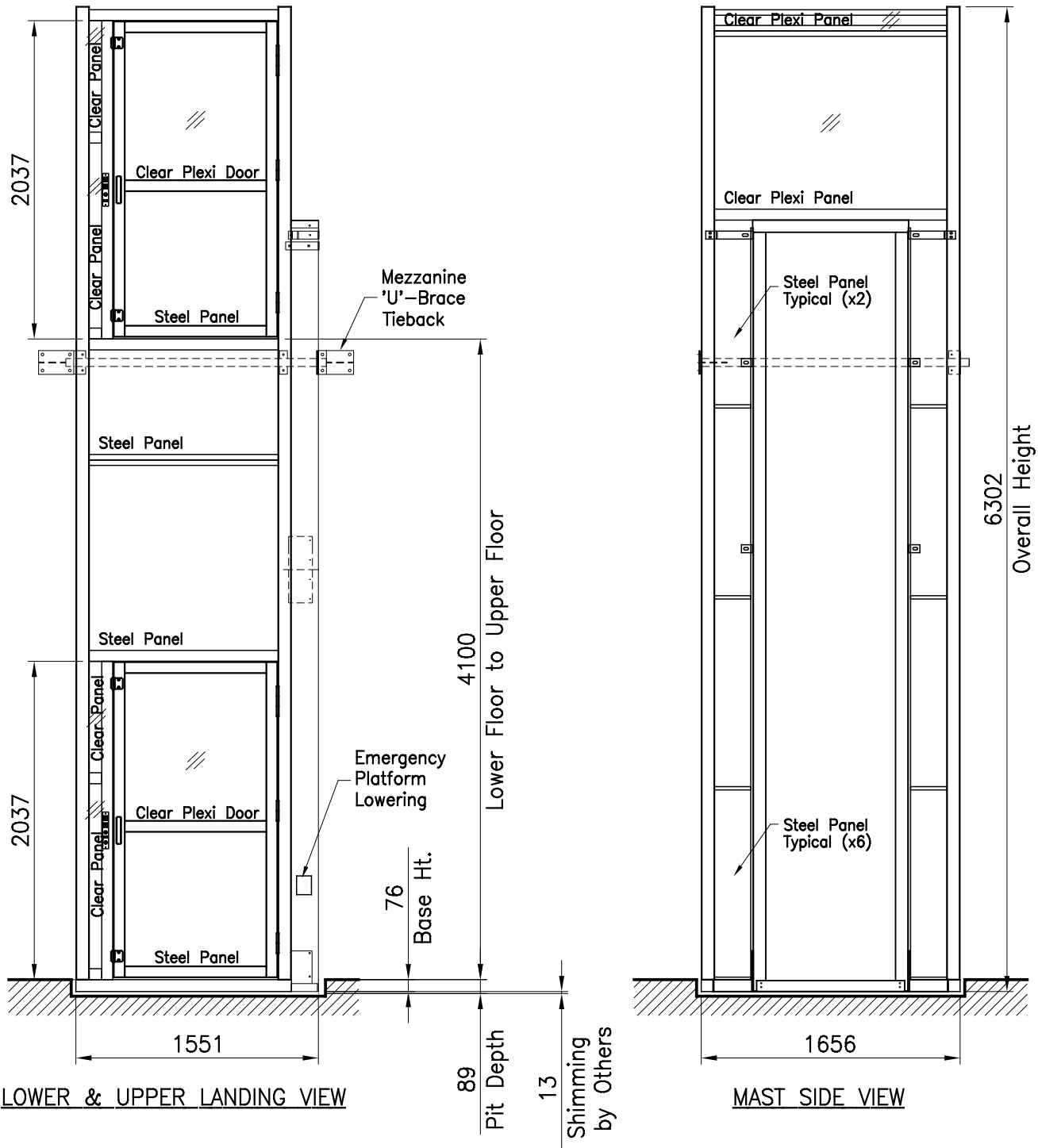


7505 - 134A STREET  
 SURREY, BC, CANADA V3W 7B3  
 PH: ++1 604 594 0422  
 FAX: ++1 604 594 9915  
<http://www.garaventalift.com>

2006 GENESIS ENCLOSURE ASSEMBLY  
 CROSSWAYS #1

LIFT HEIGHT  
H1=4176

(H1=Lwr Floor to Upper Floor+Base Height)



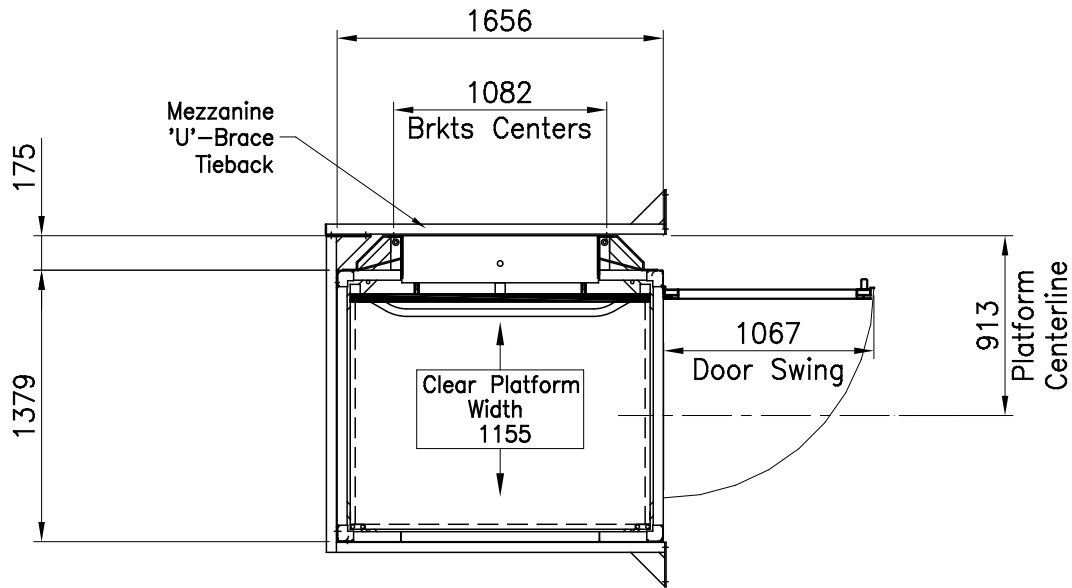
B	MEZZANINE BRACE WAS Y-SHAPE	12/07/06	WS	
A	INITIAL RELEASE	UNITS: MILLIMETERS	11/3/06	
REV.	SCALE: 1:40	TOLERANCES: DIMENSIONAL ±1.0	ANGULAR ±0.5°	PROJECTION:
			DATE	DRN.BY
				CHK.BY



7505 - 134A STREET  
SURREY, BC, CANADA V3W 7B3  
PH: ++1 604 594 0422  
FAX: ++1 604 594 9915  
<http://www.garavalift.com>

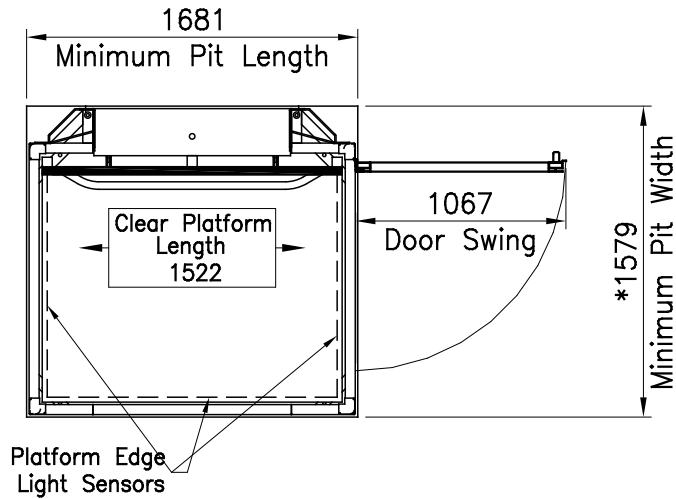
2006 GENESIS ENCLOSURE ASSEMBLY  
CROSSWAYS #1

33261-AD-B



UPPER LANDING PLAN VIEW

\* NOTE: If a tie back rail (spreader bar) is to be used to attach the mast to a wall, the pit width dimension must be increased by 38mm [1 1/2"].



LOWER LANDING PLAN VIEW

B	MEZZANINE BRACE WAS Y-SHAPE	12/07/06	WS	
A	INITIAL RELEASE	UNITS: MILLIMETERS	11/3/06	
REV.	SCALE: 1:40	TOLERANCES: DIMENSIONAL ±1.0	ANGULAR ±0.5°	PROJECTION:
			DATE	DRN.BY
			CHK.BY	



7505 - 134A STREET  
 SURREY, BC, CANADA V3W 7B3  
 PH: ++1 604 594 0422  
 FAX: ++1 604 594 9915  
<http://www.garaventlift.com>

2006 GENESIS ENCLOSURE ASSEMBLY  
 CROSSWAYS #1

**GENESIS VERTICAL PLATFORM LIFT:**

**Code Reference:** BSI 6440: 1999; Powered lifting platforms for use by disabled persons

**General:** Color – Standard (Anodized aluminium extrusions champagne finished with 16 ga. galvanized steel panels powder coated Satin Grey, and 3/16" clear plexi panels)  
 Indoor Unit – Pit Mount  
 Number of Stops – Two stop kit

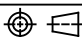
**Drive Mast:** Model – GVL-EN-168  
 Chain Hydraulic drive system c/w Platform Emergency Lowering (mounted on mast) and Pressure Gauge  
 Motor – 2.2 kW, (3.00 HP), 24 VDC  
 Travel Speed – 340 kg @ 5.2 m/min [750 lb @ 17 ft/min]  
 Power Supply – 220-240 VAC, single phase, line to neutral, 50 Hz, on a dedicated 16 amp. circuit  
 Equipped with – Split Mast Kit, Continuous Mains Power with Auxiliary Battery Power System

**Controls:** Platform Controls – Push-Button Type c/w Illuminated Directional Buttons, Courtesy Lighting, Illuminated Round (push/pull) Emergency Stop Switch/Audible Alarm  
 Lower Landing Call Station – Push-Button Frame Mount  
 Upper Landing Call Station – Push-Button Frame Mount  
 Equipped with – Keyed Operation Kit, 2-Stop Braille Kit, Arrival Gong, Interlock Time-Out Timer

**Platform:** Size – Large c/w grab rail, anti-skid deck and 1150mm [45 1/4"] high walls  
 Configuration – On/Off Same Side (360) Exit/Entry  
 Capacity – Maximum 340 kg [750 lb] operating load  
 Equipped with – Pressure Sensitive Platform Sidewall (mast side only), Platform Edge Light Sensors (full perimeter)

**Door/Gates:** Lower – 42" wide Clear Plexiglass Door c/w Powerlock 2000 Interlock  
 Upper – 42" wide Clear Plexiglass Door c/w Powerlock 2000 Interlock

**Enclosure:** Panels – Clear Plexiglass & Steel  
 Total Unit Weight – Approximately 794 kg [1750 lb]  
 Lifting Ht. (H1) – 4100mm [161 1/2"] lower floor to upper floor plus 89mm [3 1/2"] deep pit (includes 76mm [3"] base height plus 13mm [1/2"] shimming by others)  
 Equipped with – Mezzanine Tie Back Y-Brace

B	MEZZANINE BRACE WAS Y-SHAPE	12/07/06	WS	
A	INITIAL RELEASE	UNITS: MILLIMETERS	11/3/06	
REV.	SCALE: 1:40	TOLERANCES: DIMENSIONAL ±1.0	ANGULAR ±0.5°	PROJECTION: 
			DATE	DRN.BY
				CHK.BY



7505 – 134A STREET  
 SURREY, BC, CANADA V3W 7B3  
 PH: ++1 604 594 0422  
 FAX: ++1 604 594 9915  
<http://www.garaventlift.com>

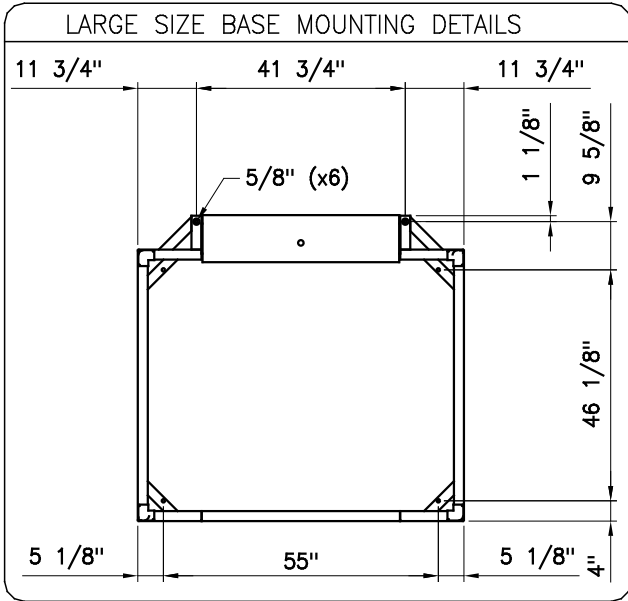
2006 GENESIS ENCLOSURE ASSEMBLY  
 CROSSWAYS #1

SYM.	DESCRIPTION	VALUE (MAX.)
F1 = 1000 lb	PAYLOAD (MAX.)	3335 N [750 lb]
	CAR (PLATFORM) WEIGHT	1110 N [250 lb]
F2	MAST WEIGHT	2669 N [600 lb]
F3	FLOOR REACTION	8211 N [1846 lb]
F4	FLOOR REACTION	4364 N [981 lb]
F5	TIEBACK REACTION	1054 N [237 lb]
F6	ENCLOSURE WEIGHT	4003 N [900 lb]

L1	L2	PLATFORM SIZE	MODEL	MAST HEIGHT	TIEBACK HEIGHT
759	1324	LARGE	168"	4937	4772

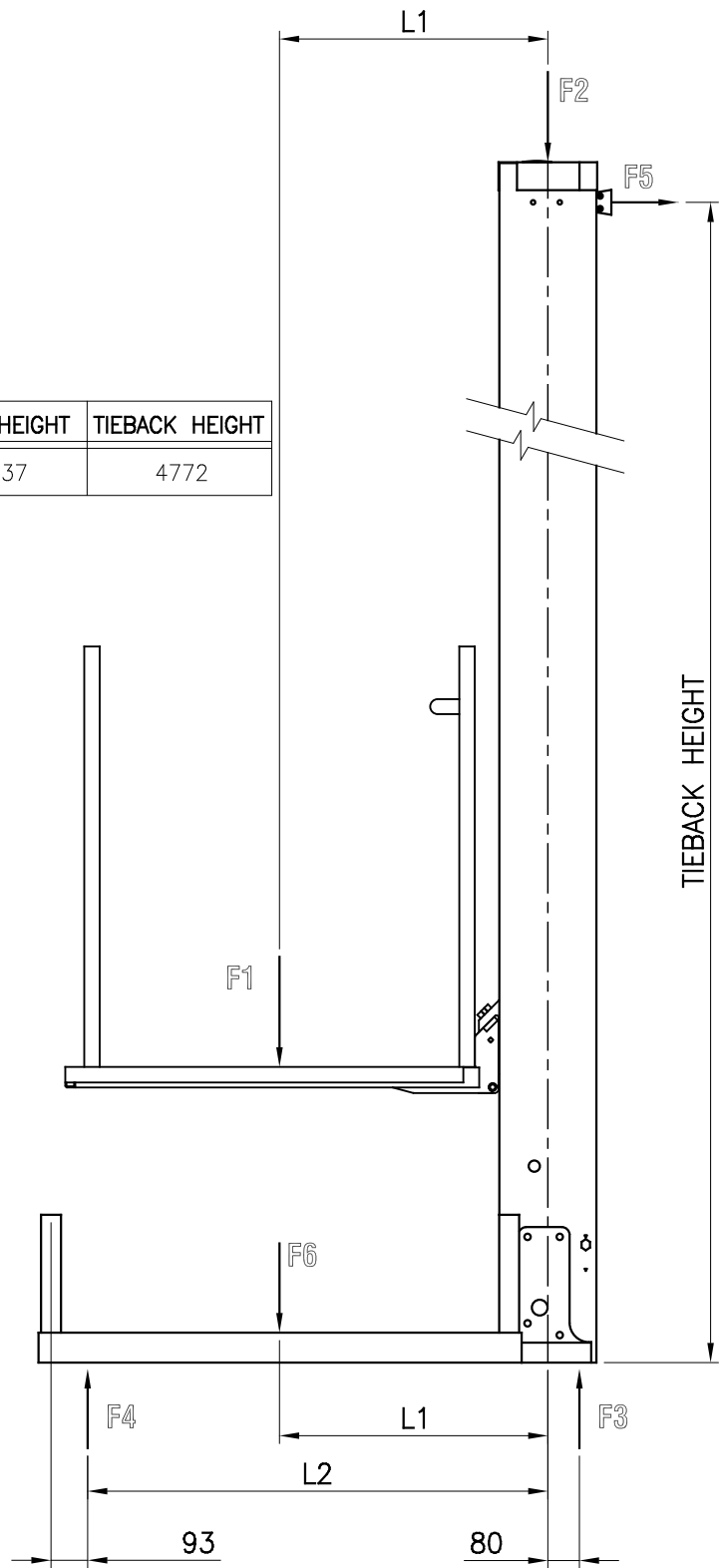
**SPECIAL NOTE:**

These are reaction forces generated by the lift. Adhere to local building codes, regulations, and safety factors for supporting structures. Consult a structural engineer or architect in your jurisdiction. Wind loading effects are not considered in these calculations. Consult manufacturer.



The information contained in this drawing constitutes the Intellectual Property, including, but not limited to, knowledge, trade secrets, and proprietary information which is the exclusive property of Garaventa Accessibility. All information contained in this drawing is to be held in the strictest confidence by the recipient, and is not to be copied, disclosed to, or transmitted to any third parties without the express written authorization of Garaventa Accessibility.

© 2005 GARAVENTA ACCESSIBILITY.



**DETAIL 1 – ENCLOSURE MODEL LOADING DIAGRAM**

B	MEZZANINE BRACE WAS Y-SHAPE	12/07/06	WS	
A	INITIAL RELEASE	UNITS: MILLIMETERS	11/3/06	
REV.	SCALE: 1:40	TOLERANCES: DIMENSIONAL ±1.0	ANGULAR ±0.5°	PROJECTION:
			DATE	DRN.BY
			CHK.BY	



7505 – 134A STREET  
SURREY, BC, CANADA V3W 7B3  
PH: ++1 604 594 0422  
FAX: ++1 604 594 9915  
<http://www.garaventalift.com>

2006 GENESIS ENCLOSURE ASSEMBLY  
CROSSWAYS #1